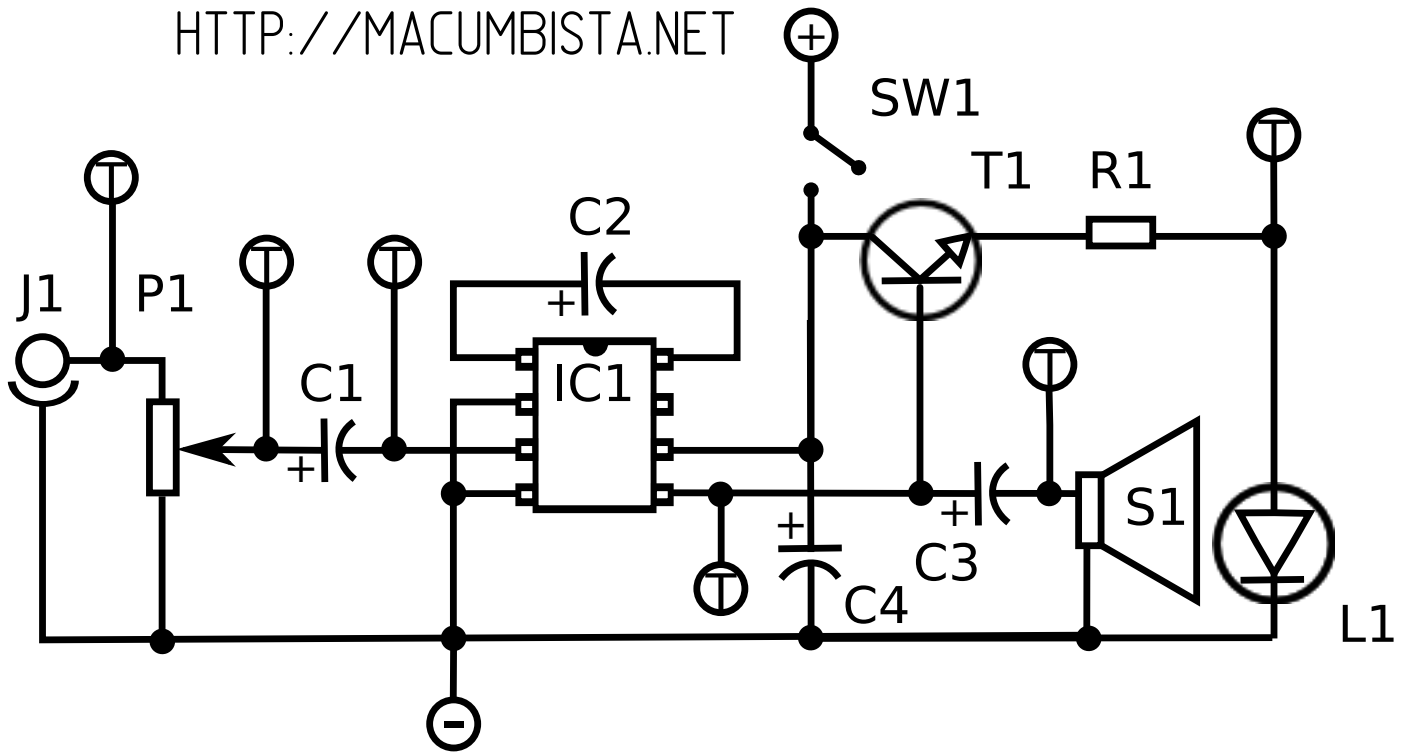


NEANDERTHAL ELECTRONICS SOUNDBOX V 2

[HTTP://MACUMBISTA.NET](http://MACUMBISTA.NET)



P1: 50K Log potentiometer

L1: LED

J1: Neutrik Mono 6,3mm jack

SW1: SDST/SPDT switch

R1: 1K 1/4W resistor

T1: 2N3904 transistor

C1: 1uF capacitor

C2: 10uF capacitor

C3: 100uF capacitor

C4: 10uF capacitor

S1: 1-20W speaker

IC1: LM386 1/2W Audio Amp intergrated circuit

